

# **HD IR Fixed Network Camera Quick Start Guide**

**Version 1.0.0**

# Welcome

Thank you for purchasing our network camera!

This quick start guide is designed to be a reference tool for your system.

Please keep this start guide well for future reference.

Please open the accessory bag to check the items one by one in accordance with the list below.

Contact your local retailer ASAP if something is missing or damaged in the bag.

**Before your operation please read the following instructions carefully.**

## 1 . Electrical safety

All installation and operation here should conform to your local electrical safety codes.

The power shall conform to the requirement in the SELV (Safety Extra Low Voltage) and the Limited power source is rated 12V DC or 24V AC in the IEC60950-1. (Refer to general introduction) **Please note: Do not connect two power supplying sources to the device at the same time; it may result in device damage! The product must be grounded to reduce the risk of electronic shock.**

We assume no liability or responsibility for all the fires or electrical shock caused by improper handling or installation.

We are not liable for any problems caused by unauthorized modification or attempted repair.

## 2 . Transportation security

Heavy stress, violent vibration or water splash are not allowed during transportation, storage and installation.

## 3 . Installation

Do not apply power to the camera before completing installation.

Please install the proper power cut-off device during the installation connection.

Always follow the instruction guide the manufacturer recommended.

## 4 . Qualified engineers needed

All the examination and repair work should be done by the qualified service engineers.

We are not liable for any problems caused by unauthorized modifications or attempted repair.

## 5 . Environment

This series network camera should be installed in a cool, dry place away from direct sunlight, inflammable, explosive substances and etc.

Please keep it away from the electromagnetic radiation object and environment.

Please make sure the CCD (CMOS) component is out of the radiation of the laser beam device.

Otherwise it may result in CCD (CMOS) optical component damage.

Please keep the sound ventilation.

Do not allow the water and other liquid falling into the camera.

Thunder-proof device is recommended to be adopted to better prevent thunder.  
The grounding studs of the product are recommended to be grounded to further enhance the reliability of the camera.

## 6. Daily Maintenance

Please shut down the device and then unplug the power cable before you begin daily maintenance work.

Do not touch the CCD (CMOS) optic component. You can use the blower to clean the dust on the lens surface.

Always use the dry soft cloth to clean the device. If there is too much dust, please use the water to dilute the mild detergent first and then use it to clean the device. Finally use the dry cloth to clean the device.

Please put the dustproof cap to protect the CCD (CMOS) component when you do not use the camera. Dome enclosure is the optical component, do not touch the enclosure when you are installing the device or clean the enclosure when you are doing maintenance work. Please use professional optical clean method to clean the enclosure. Improper enclosure clean method (such as use cloth) may result in poor IR effect of camera with IR function.

## 7. Accessories

Be sure to use all the accessories recommended by manufacturer.

Before installation, please open the package and check all the components are included.

Contact your local retailer ASAP if something is broken in your package.

Accessory Name	Amount
Network Camera Unit	1
Quick Start Guide	1
Installation Accessories Bag	1
CD	1

# Table of Contents

1	Framework .....	1
1.1	Cable .....	1
1.2	Framework and Dimension .....	3
2	Device Installation .....	5
3	Quick Configuration Tool .....	7
3.1	Overview .....	7
3.2	Operation .....	7
4	Web Operation.....	9
4.1	Network Connection.....	9
4.2	Login and Logout .....	9
	Appendix Toxic or Hazardous Materials or Elements.....	11

# 1 Framework

## 1.1 Cable

Note:

Figures in this chapter are for reference only, and different models use different figures, please select a or b model accordingly.

You can refer to the following figure for cable information. See Figure 1-1 and Figure 1-2.

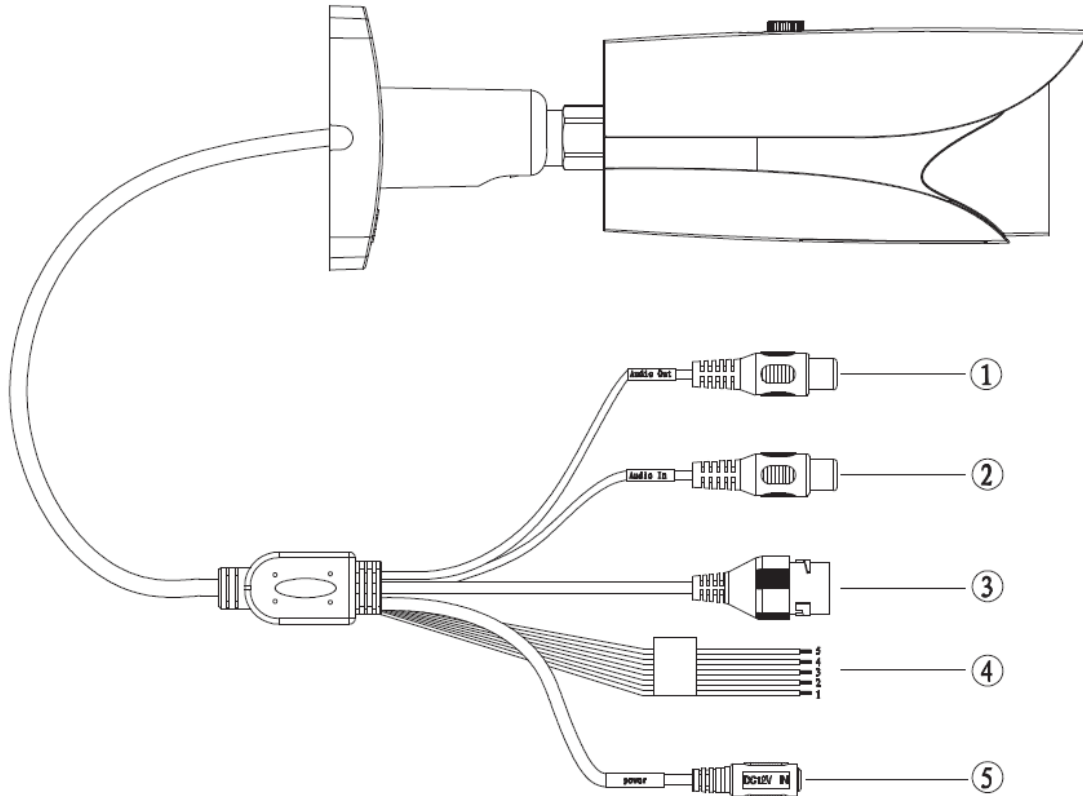


Figure 1-1 Cable a

Please refer to the following sheet for detailed information.

No.	Port Name	Function	Connection	Note
1	AUDIO OUT	Audio output port	RCA	Output audio signal to speaker and etc.
2	AUDIO IN	Audio input port	RCA	Input audio signal, receive analog audio signal from pick up and etc.
3	LAN	Network port	Ethernet port	Connect to standard Ethernet cable. Note: Before making crystal head, pull the anti-dust cover through network cable.
4	I/O	I/O port	-	Connect to I/O port.

No.	Port Name	Function	Connection	Note
5	Power	Power input port	/	Power port. Input DC 12V or AC 24V power. Standard DC 5.5 round port converts to 2-pin converter cable. <b>Please connect the DC5.5 round port to 2-pin converter cable when you are using AC 24V power.</b> <b>Please use according to device tag.</b>

Please refer to the follow sheet for detailed pin information.

Port Name	SN	Name	Note
I/O Port	1	ALARM_NO	Alarm output port. It is to output the alarm signal to the alarm device. NO: normal open alarm output port. It must be used with ALARM_COM.
	2	ALARM_COM	Alarm output public port.
	3	ALARM_IN1	Alarm input port 1. It is to receive the on-off signal from the external alarm source.
	4	ALARM_IN2	Alarm input port 2. It is to receive the on-off signal from the external alarm source.
	5	GND	Ground port

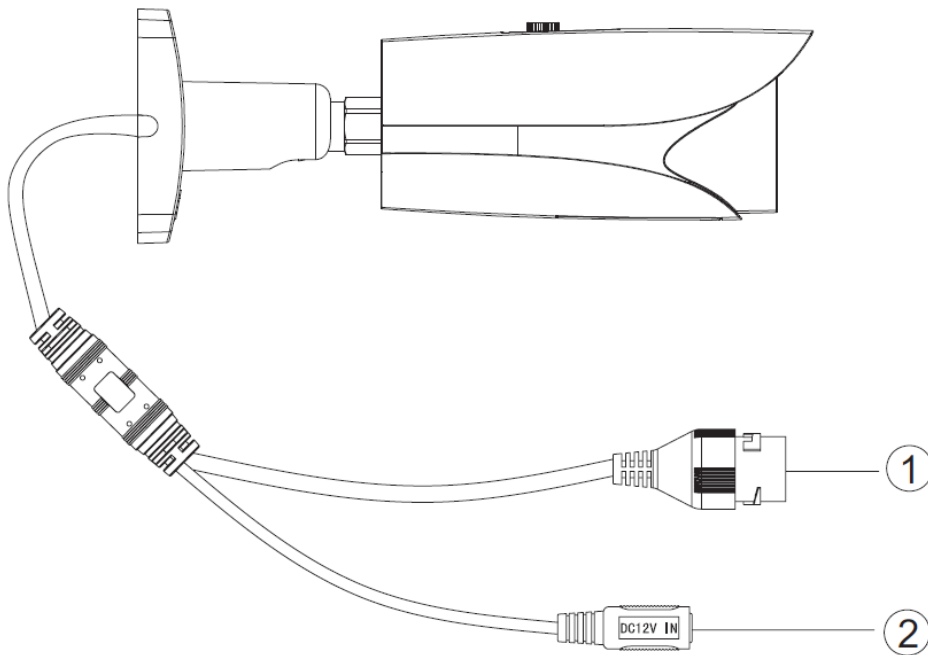


Figure 1-2 Cable b

Please refer to the following sheet for detailed information.

Port	Port Name	Note
1	Network Port	Network data input/output and POE. Note: Before making crystal head, pull the anti-dust, waterproof cover through network cable.
2	Power Input Port	Connect to DC 12V power, input power

## 1.2 Framework and Dimension

Please refer to the following figure for dimension information. The unit is mm. See Figure 1-3 and Figure 1-4.

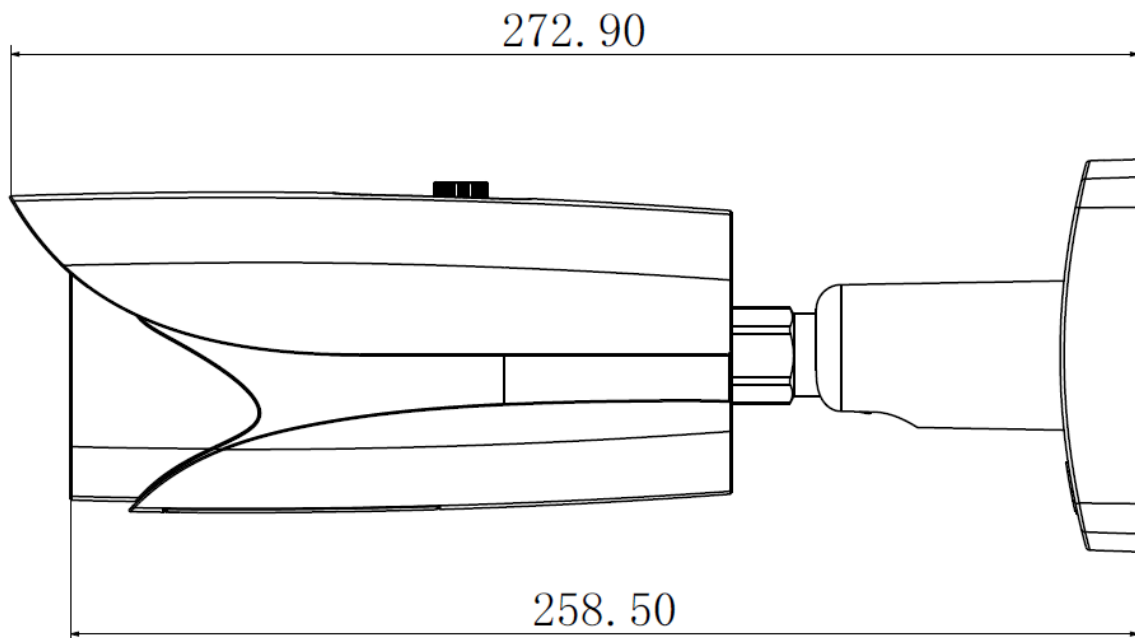


Figure 1-3 Dimension illustration 1

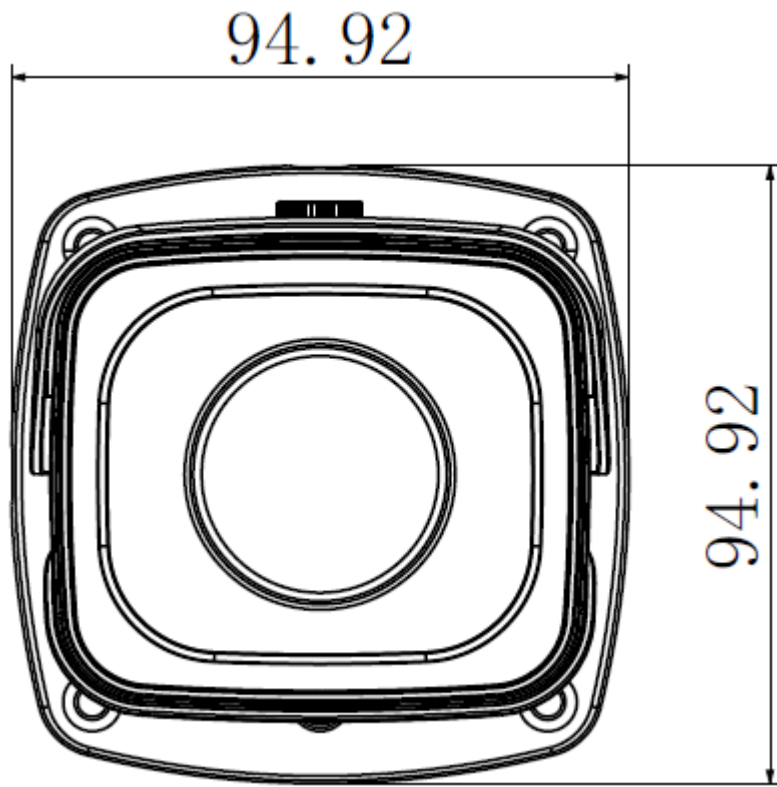


Figure 1-4 Dimension illustration 2



## 2 Device Installation

### Important

Please make sure the installation surface can support the 3X weight of the camera and the bracket.

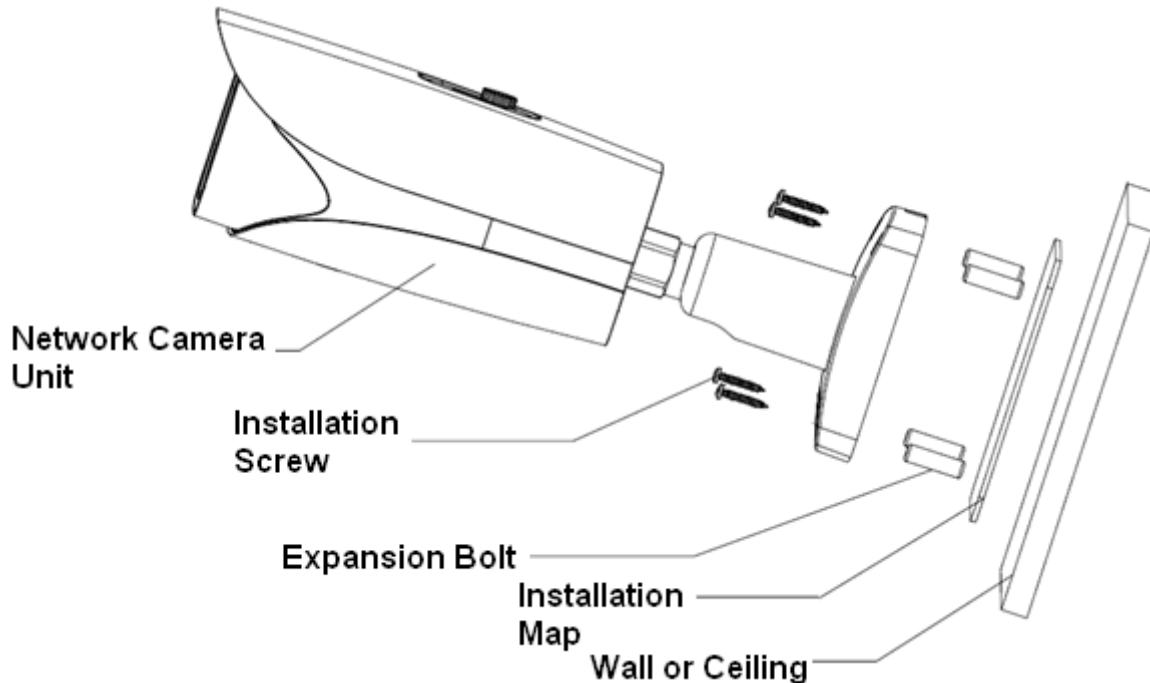


Figure 2-1 Device installation 1

Please see Figure 2-1 and Figure 2-2.

### **Step 1**

Stick installation map to designated surface where you will install the device (wall or ceiling).

### **Step 2**

Dig a hole according to position of hole on installation map.

### **Step 3**

Open accessories bag, take out expansion bolt and insert it into the hole you just dug.

### **Step 4**

Open accessories bag, take out screw. Tighten the 4 screws to fix the device on the installation surface (wall or ceiling). You can move device sunshade back and forth. When you have fixed the device, you must tighten screws on sunshade.

### **Step 5**

Plug external wiring of the device properly.

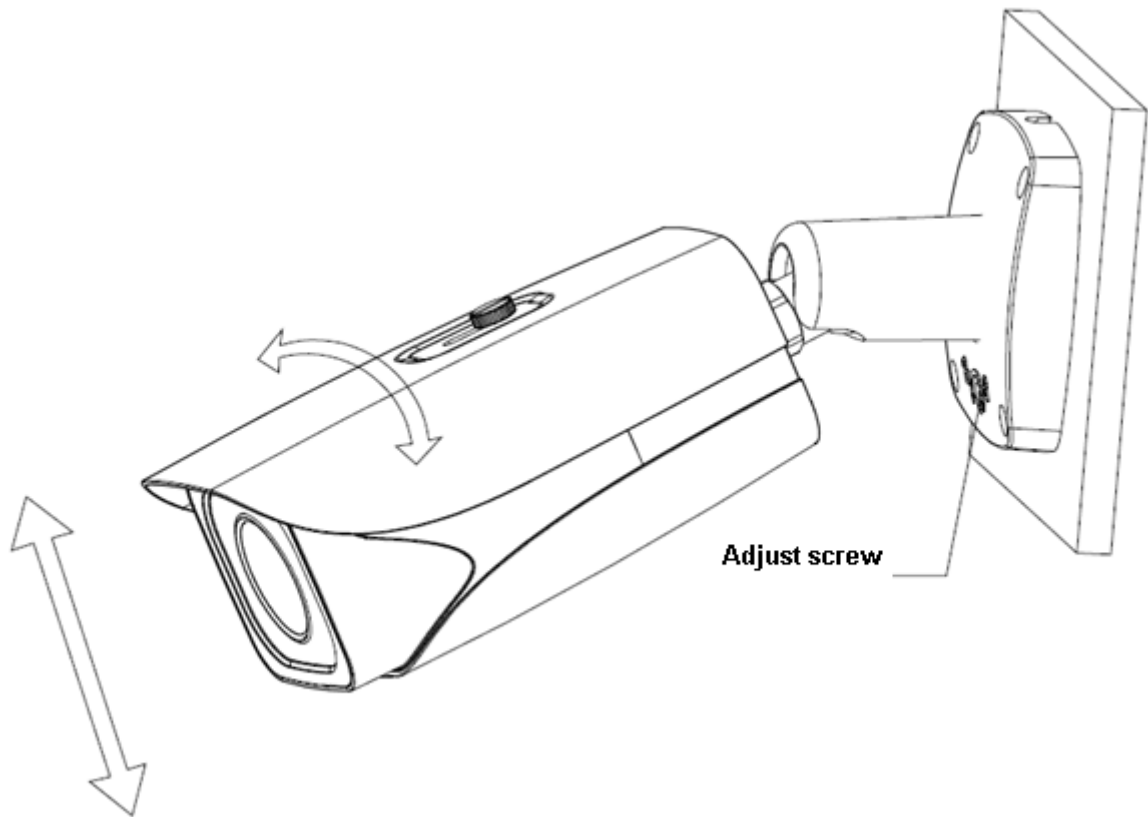


Figure 2-2 Device installation 2

**Step 6**

Use wobbler driver (in accessories bag) to loosen adjusting screw.

**Step 7**

Adjust the device in all possible directions, and set its monitoring direction.

**Step 8**

Use wobbler driver to tighten the screws.

### 3 Quick Configuration Tool

#### 3.1 Overview

Quick configuration tool can search current IP address, modify IP address. At the same time, you can use it to upgrade the device.

Please note the tool only applies to the IP addresses in the same segment.

#### 3.2 Operation

Double click the “ConfigTools.exe” icon, you can see an interface is shown as in Figure 3-1.

In the device list interface, you can view device IP address, port number, subnet mask, default gateway, MAC address and etc.

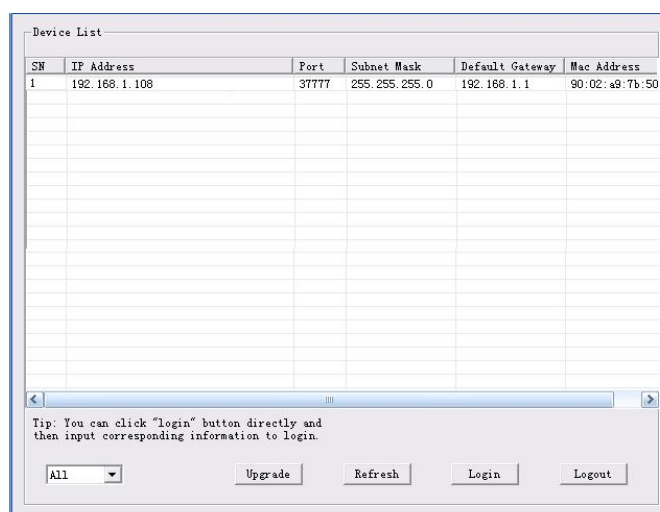


Figure 3-1 Search interface

Select one IP address and then right click mouse, you can see an interface is shown as in Figure 3-2.

Select the “Open Device Web” item; you can go to the corresponding web login interface.

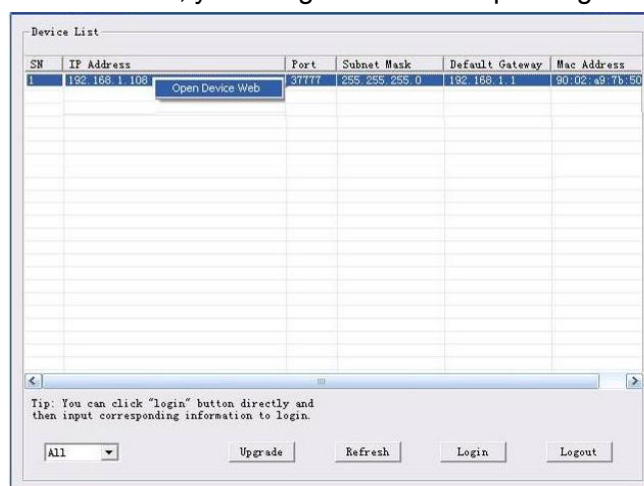


Figure 3-2 Search interface 2

If you want to modify the device IP address without logging in the device web interface, you can go to the configuration tool main interface to set.

In the configuration tool search interface (Figure 3-1), please select a device IP address and then double click it to open the login interface. Or you can select an IP address and then click the Login button to go to the login interface. See Figure 3-3.

In Figure 3-3, you can view device IP address, user name, password and port. Please modify the corresponding information to login.

Please note the port information here shall be identical with the port value you set in TCP port in Web Network interface. Otherwise, you cannot login the device.

If you are using device background upgrade port 3800 to login, other setups are all invalid.

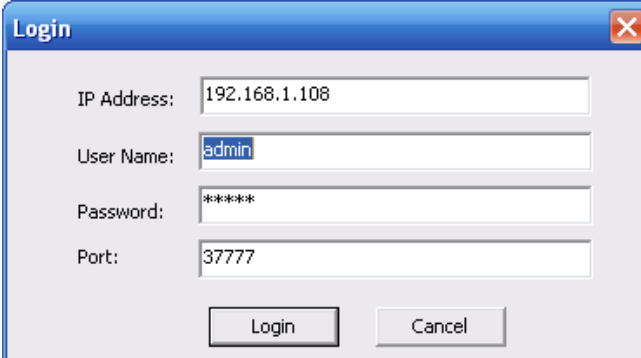


Figure 3-3 Login prompt

After you logged in, the configuration tool main interface is shown as below. See Figure 3-4.

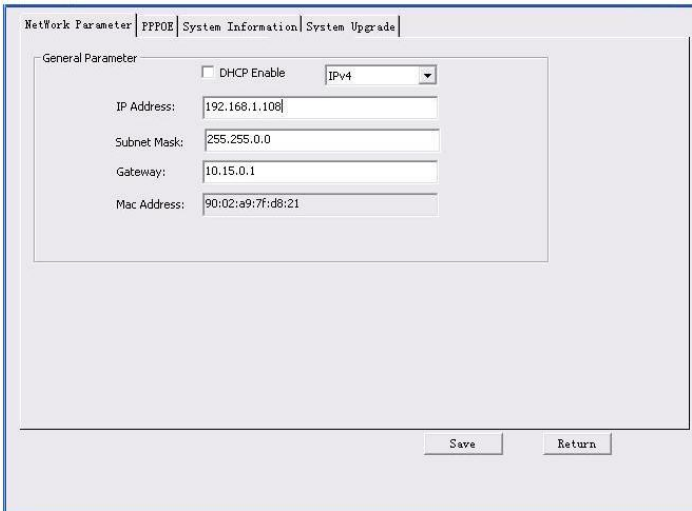


Figure 3-4 Main interface

**For detailed information and operation instruction of the quick configuration tool, please refer to the *Quick Configuration Tool User's Manual* included in the resources CD.**

## 4 Web Operation

This series network camera product supports the Web access and management via PC. Web includes several modules: monitor channel preview, system configuration, alarm and etc.

### 4.1 Network Connection

Please follow the steps listed below for network connection.

- Make sure the network camera has connected to the network properly.
- Please set the IP address, subnet mask and gateway of the PC and the network camera respectively. Network camera default IP address is 192.168.1.108. Subnet mask is 255.255.255.0. Gateway is 192.168.1.1
- Use order ping `***.***.***.***`(\* network camera address) to check connection is OK or not.

### 4.2 Login and Logout

Open IE and input network camera address in the address bar. See Figure 4-1.

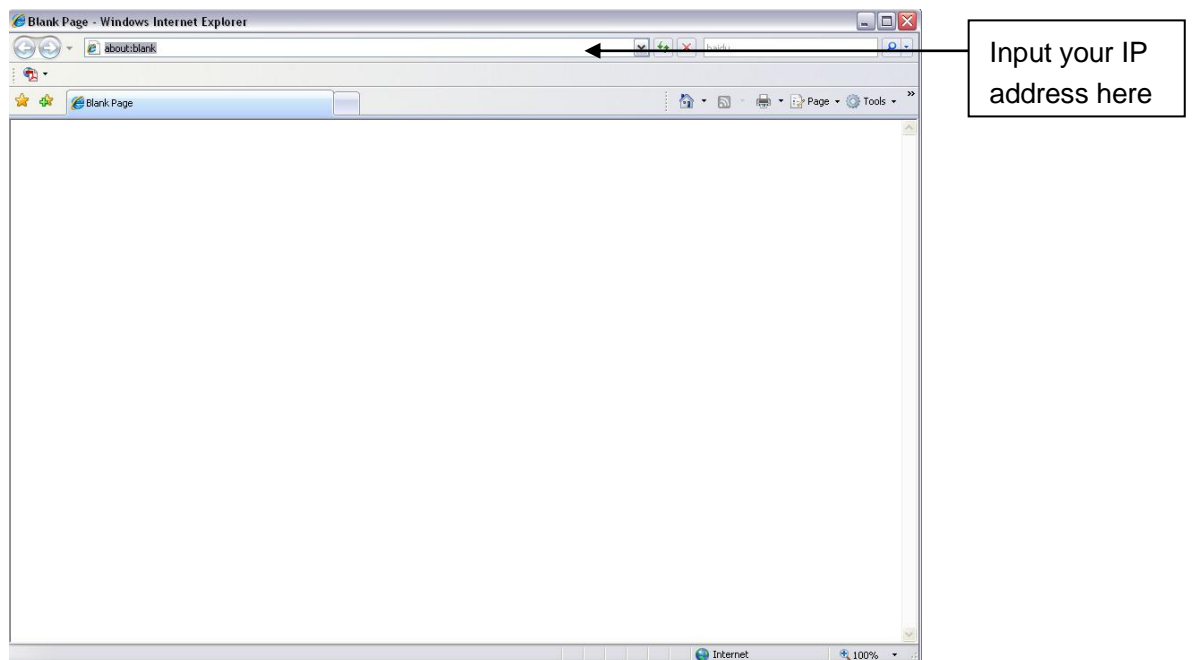


Figure 4-1 IP address

The login interface is shown as below. See Figure 4-2.

Please input your user name and password.

Default factory name is admin and password is admin.

**Note: For security reasons, please modify your password after you first login.**



Figure 4-2 Web login

After you successfully logged in, please install WEB plug-in unit. Please refer to the Web Operation Manual included in the resource CD for detailed operation instruction. See Figure 4-3.

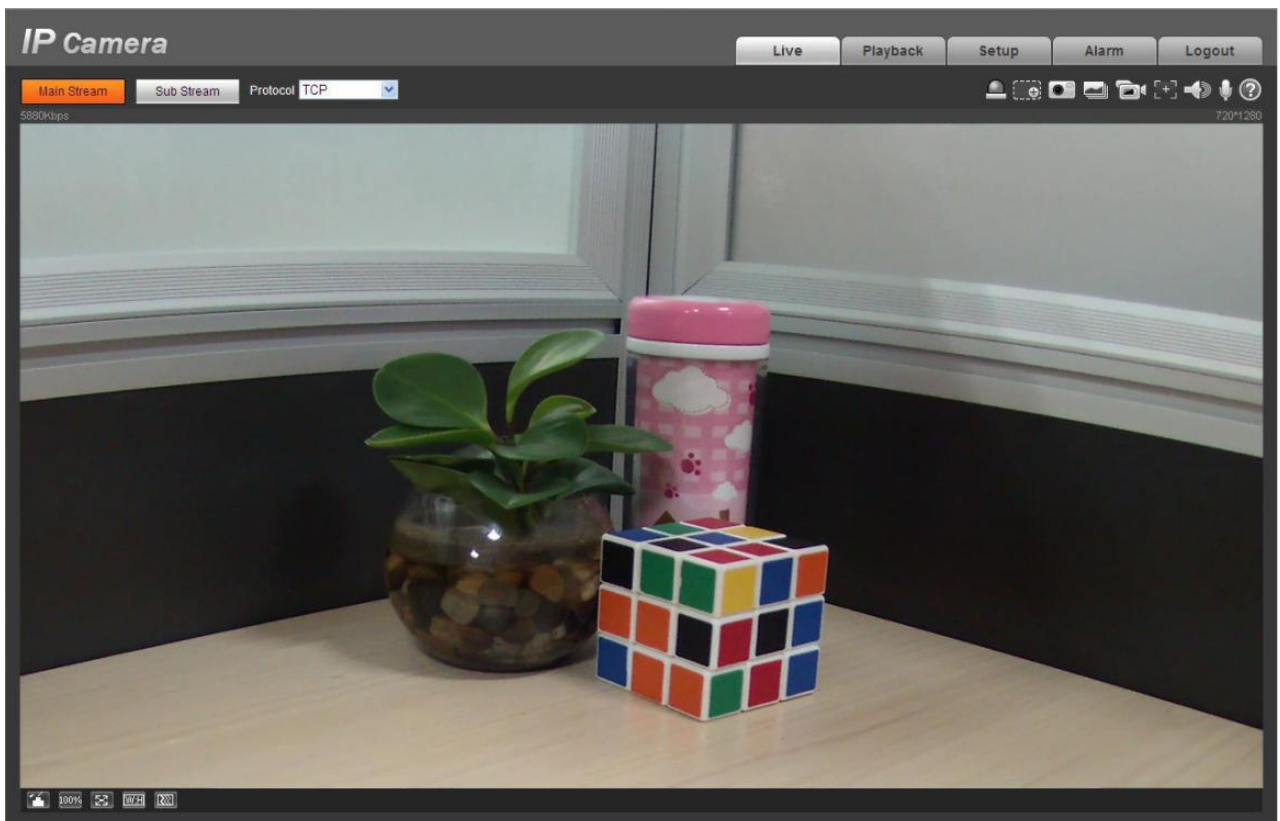


Figure 4-3 Web monitoring window

## Appendix Toxic or Hazardous Materials or Elements

Component Name	Toxic or Hazardous Materials or Elements					
	Pb	Hg	Cd	Cr VI	PBB	PBDE
Circuit Board Component	○	○	○	○	○	○
Device Construction Material	○	○	○	○	○	○
Wire and Cable	○	○	○	○	○	○
Packing Components	○	○	○	○	○	○
Accessories	○	○	○	○	○	○

O: Indicates that the concentration of the hazardous substance in all homogeneous materials in the parts is below the relevant threshold of the SJ/T11363-2006 standard.

X: Indicates that the concentration of the hazardous substance of at least one of all homogeneous materials in the parts is above the relevant threshold of the SJ/T11363-2006 standard. During the environmental-friendly use period (EFUP) period, the toxic or hazardous substance or elements contained in products will not leak or mutate so that the use of these (substances or elements) will not result in any severe environmental pollution, any bodily injury or damage to any assets. The consumer is not authorized to process such kind of substances or elements, please return to the corresponding local authorities to process according to your local government statutes.

### Note:

- This quick start guide is for reference only. Slight difference may be found in user interface.
- All the designs and software here are subject to change without prior written notice.
- If there is any uncertainty or controversy, please refer to the final explanation of us.
- Please visit our website or contact your local service engineer for more information.